

EN
NEW



JSW1[®]



 **PEDROLLO[®]**
... the spring of life

NEW

TECHNICAL CHARACTERISTICS

- ▶ New self-priming electric water pumps
- ▶ Original design by Pedrollo (patented)
- ▶ More silent
- ▶ Better hydraulic characteristics
- ▶ Better priming performances
- ▶ Reduced energy consumption
- ▶ Impeller in stainless steel AISI 304
- ▶ Registered models

INSTALLATION AND USE

Suitable for use with clean water and liquids that are not chemically aggressive towards the materials from which the pump is made. The self-priming **JSW** pumps are designed to pump water even in cases where air is present. As a result of their reliability and the fact that they are easy to use, they are recommended for use in domestic applications such as the distribution of water in combination with small or medium sized pressure sets, and for the irrigation of gardens and allotments, etc.

APPLICATION LIMITS

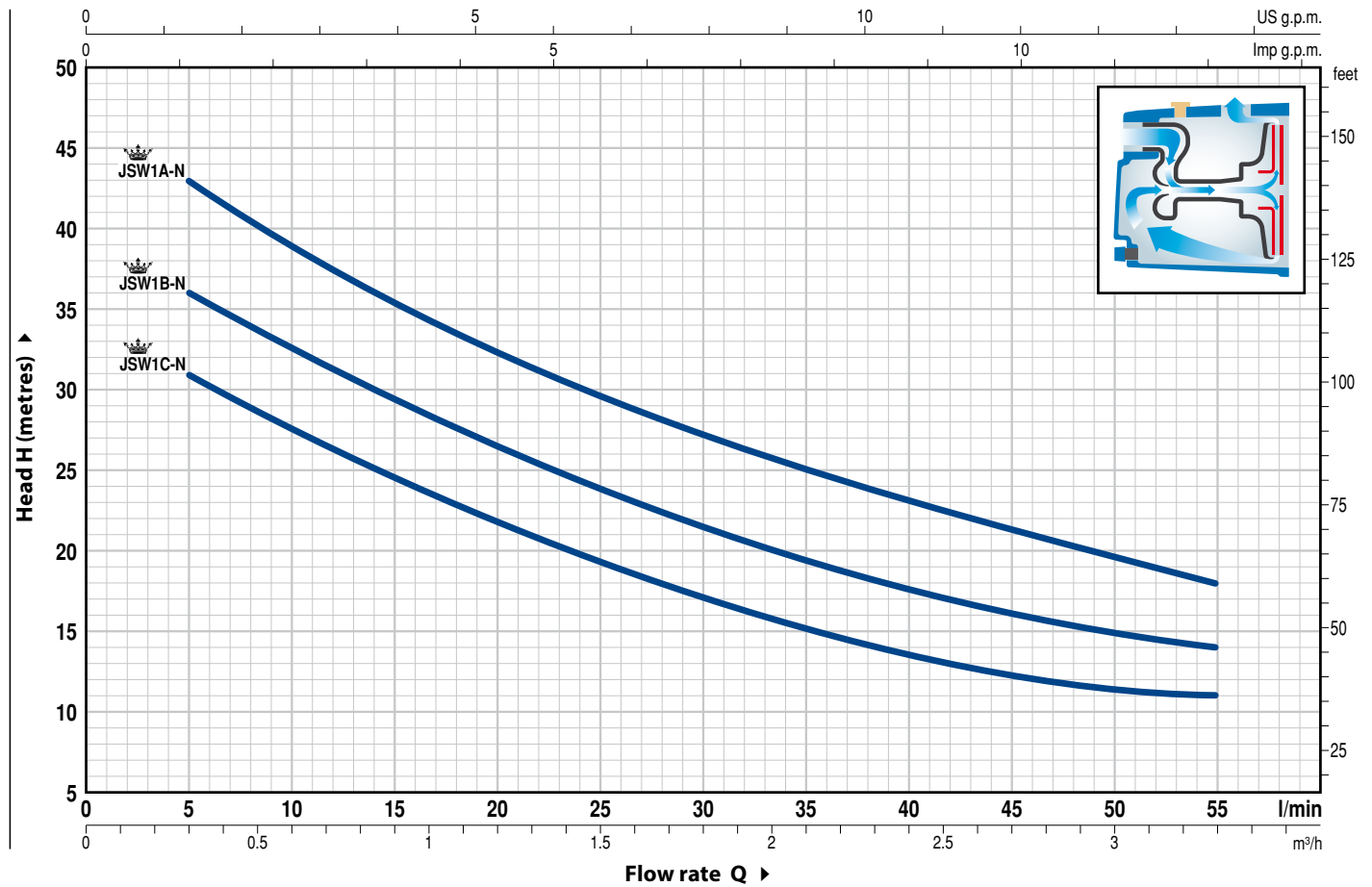
- Manometric suction lift up to **9 m (HS)**
- Liquid temperature between **-10 °C** and **+40 °C**
- Ambient temperature up to **+40 °C**
- Max. working pressure **6 bar**
- Continuous service **S1**

PATENTS - TRADE MARKS - MODELS

- Registered model JSW[®]
- Registered Community Design n° 002218610
- European Patent n° 1 510 696

CHARACTERISTIC CURVES AND PERFORMANCE DATA

50 Hz n = 2900 1/min HS = 0 m



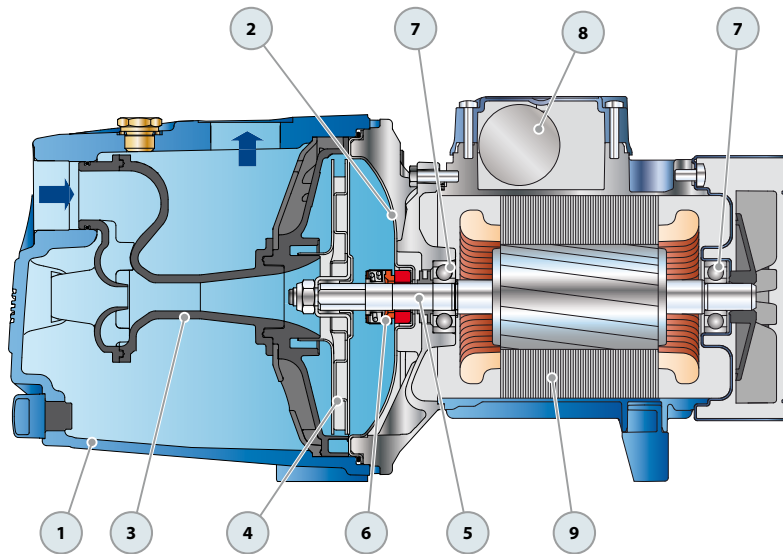
MODEL		POWER		Q	Flow rate									
Single-phase	Three-phase	kW	HP		0	0.3	0.6	1.2	1.5	1.8	2.4	2.7	3.0	3.3
				H metres	0	5	10	20	25	30	40	45	50	55
JSWm 1C-N	-	0.37	0.50			35	31	27.5	22	19.5	17	14.5	13	11.5
JSWm 1B-N	JSW 1B-N	0.50	0.70		41	36	33	26.5	23.5	21.5	17.5	16	15	14
JSWm 1A-N	JSW 1A-N	0.60	0.85		48	43	39	32	29.5	27.5	23	21.5	19.5	18

Q = Flow rate H = Total manometric head HS = Suction height

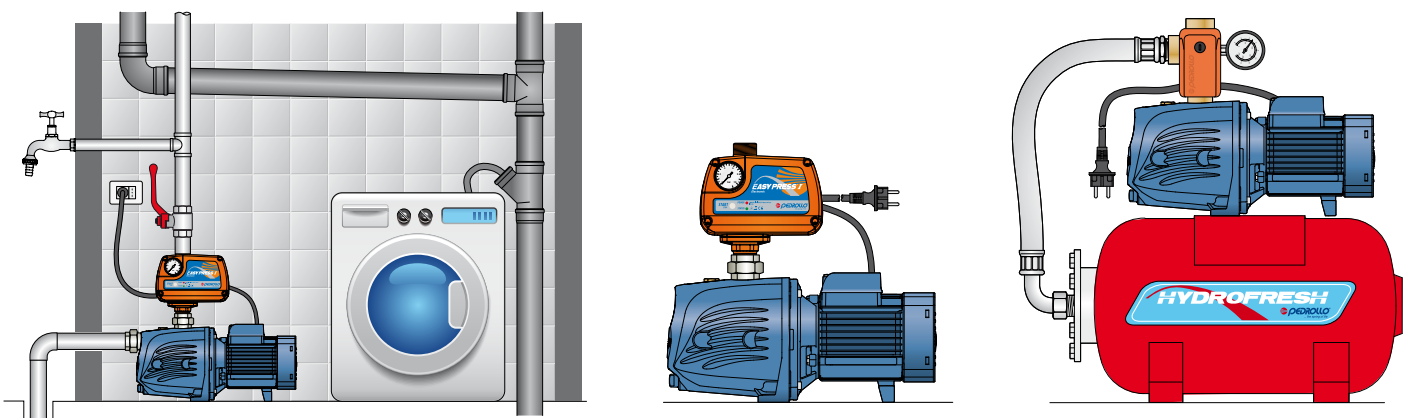
Tolerance of characteristic curves in compliance with EN ISO 9906 Grade 3.

POS. COMPONENT CONSTRUCTION CHARACTERISTICS

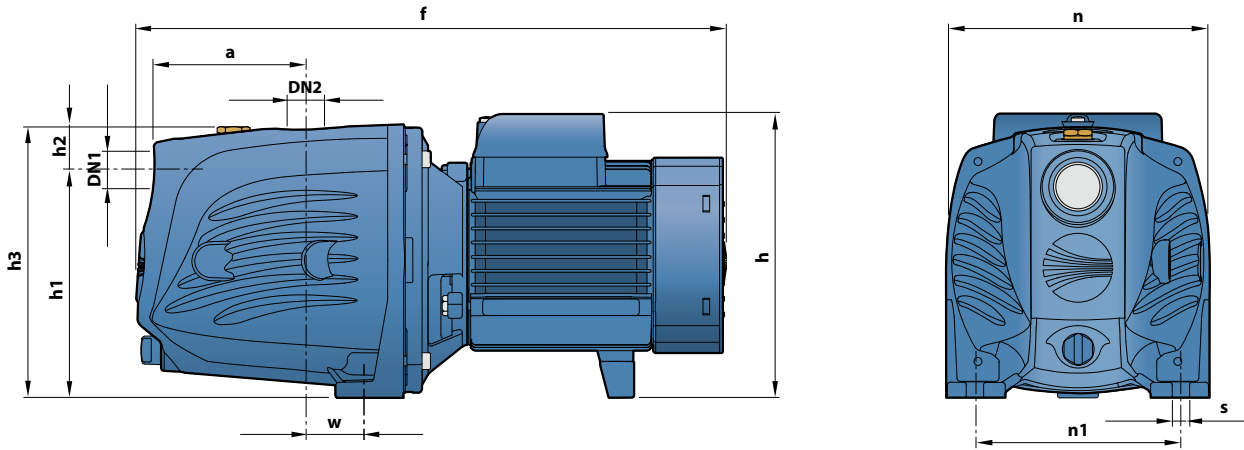
1 PUMP BODY	Cast iron, complete with threaded ports in compliance with ISO 228/1				
2 BODY BACKPLATE	Stainless steel AISI 304				
3 NOZZLE ASSEMBLY	Noryl FE1520PW				
4 IMPELLER	Stainless steel AISI 304				
5 MOTOR SHAFT	Stainless steel AISI 304 EN 10088-3 - 1.4104				
6 MECHANICAL SEAL	<i>Seal Model</i>	<i>Shaft Diameter</i>	<i>Stationary ring</i>	<i>Materials</i> <i>Rotational ring</i> <i>Elastomer</i>	
	AR-12	Ø 12 mm	Ceramic	Graphite	NBR
7 BEARINGS	6201 ZZ / 6201 ZZ				
8 CAPACITOR	<i>Pump</i>	<i>Capacitance</i>			
	<i>Single-phase</i>	<i>(230 V or 240 V)</i>		<i>(110 V)</i>	
	JSWm 1C-N	10 µF 450 VL	25 µF 250 VL		
	JSWm 1B-N	10 µF 450 VL	25 µF 250 VL		
9 ELECTRIC MOTOR	<p>JSWm: single-phase 230 V - 50 Hz with thermal overload protector built-in to the winding. JSW: three-phase 230/400 V - 50 Hz.</p> <p>➔ Pumps fitted with the three-phase motor option offer IE2 (IEC 60034-30) class high performance. ➔ Stator and rotor are made out of magnetic sheet with low iron loss.</p> <p>- Insulation: F class. - Protection: IP X4.</p>				



INSTALLATION EXAMPLE



DIMENSIONS AND WEIGHT



MODEL		PORTS		DIMENSIONS										kg	
Single-phase	Three-phase	DN1	DN2	a	f	h	h1	h2	h3	n	n1	w	s	1~	3~
JSWm 1C-N	-	1"	1"	94	348	171	127	33	160	158	124	24	10	9.0	-
JSWm 1B-N	JSW 1B-N													9.8	9.8
JSWm 1A-N	JSW 1A-N													10.2	9.8

ABSORPTION

MODEL	VOLTAGE (single-phase)		
Single-phase	230 V	240 V	110 V
JSWm 1C-N	2.5 A	2.4 A	5.0 A
JSWm 1B-N	3.0 A	2.9 A	6.0 A
JSWm 1A-N	3.6 A	3.3 A	7.3 A

MODEL	VOLTAGE (three-phase)					
Three-phase	230 V	400 V	690 V	240 V	415 V	720 V
JSW 1B-N	2.1 A	1.2 A	0.7 A	2.0 A	1.2 A	0.7 A
JSW 1A-N	2.8 A	1.6 A	0.9 A	2.7 A	1.6 A	0.9 A

PALLETIZATION

MODEL		GROUPAGE				CONTAINER			
Single-phase	Three-phase	n° pumps	H (mm)	kg 1~	kg 3~	n° pumps	H (mm)	kg 1~	kg 3~
JSWm 1C-N	-	98	1561	906	-	140	2170	1284	-
JSWm 1B-N	JSW 1B-N	98	1561	984	984	140	2170	1396	1396
JSWm 1A-N	JSW 1A-N	98	1561	1024	981	140	2170	1452	1392

